

SALES & ENGINEERING DATA

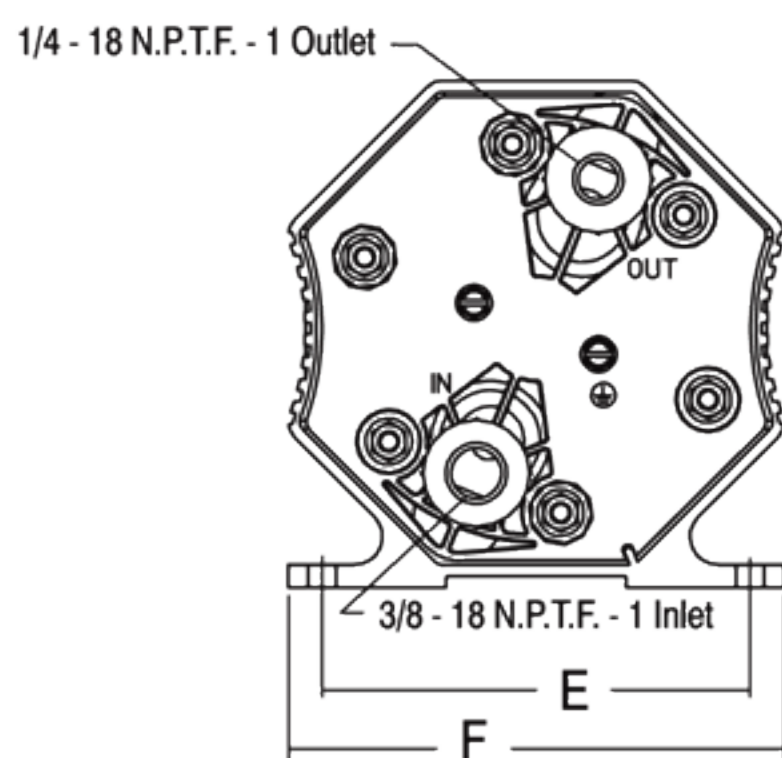
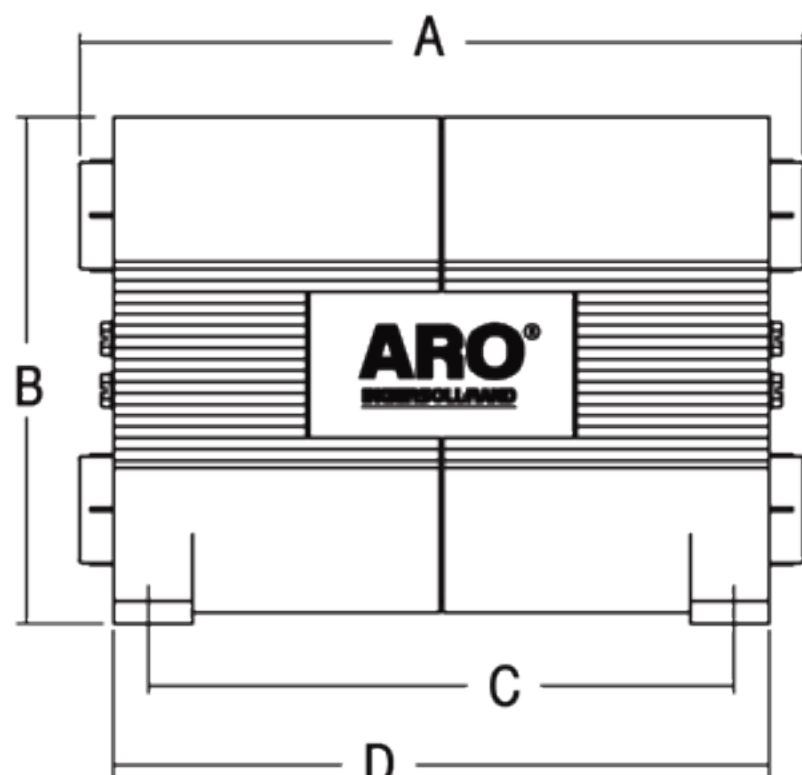
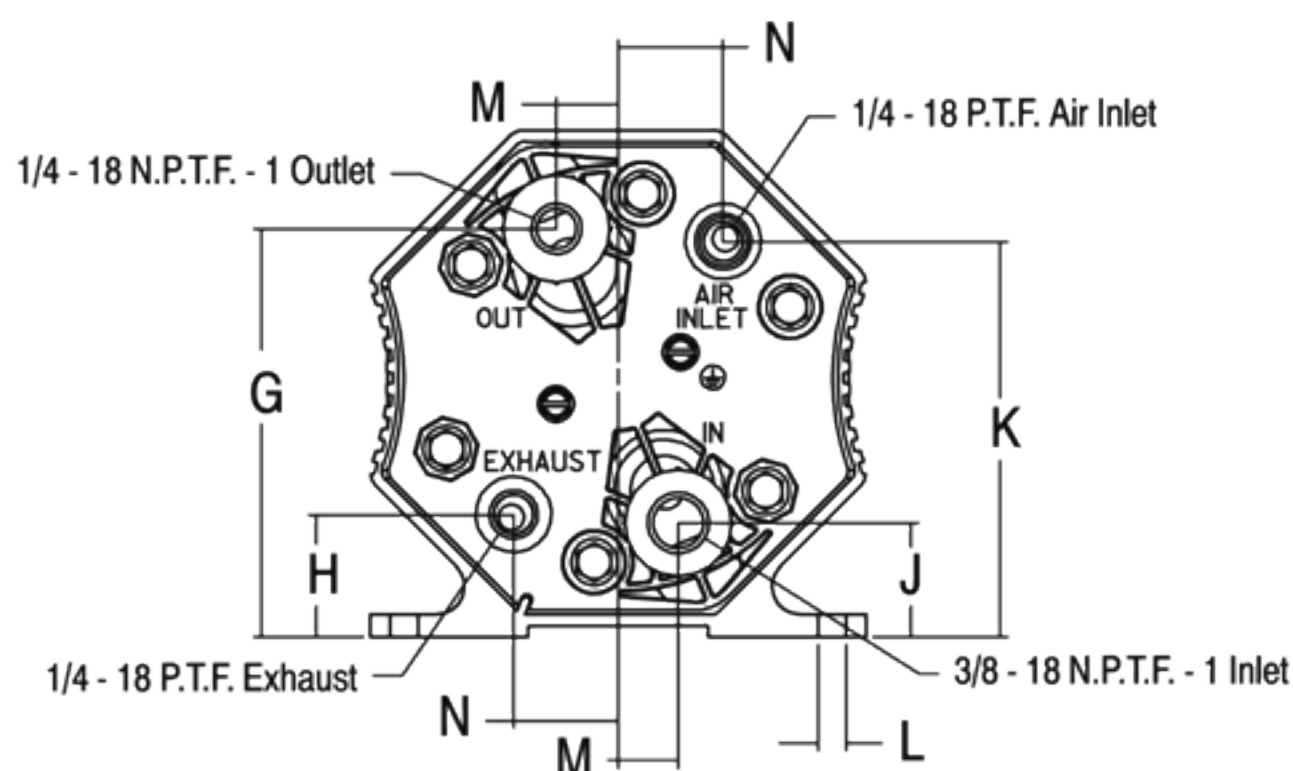
RATIO SERIES:	1:1
FLUID P.S.I. RANGE:	20 - 100

PD02P-XXS-XTX

1/4" NON-METALLIC DIAPHRAGM PUMP

RELEASED: 1-31-97
 REVISED: 5-17-02
 S-874

DIMENSIONAL DATA



DIMENSIONS

A 8-1/16" (204 mm)	F 5-1/2" (140 mm)	K 4-7/16" (112 mm)
B 5-5/8" (143 mm)	G 4-9/16" (115 mm)	L 5/16" (8 mm)
C 6-1/2" (165 mm)	H 1-3/8" (35 mm)	M 11/16" (17 mm)
D 7-5/16" (185 mm)	J 1-5/16" (32 mm)	N 1-3/16" (30 mm)
E 4-3/4" (121 mm)		

NOTE: Dimensions are shown in inches and (mm), supplied for reference only and are typically rounded up to the nearest 1/16 inch.

SPECIFICATIONS

CONSTRUCTION

Model Series	PD02P-XXS-XTX
Pump Type	Non-Metallic, Air Operated, Double Diaphragm ²
Ratio	1:1
Material Inlet (female)	3/8 - 18 N.P.T.F. - 1
Material Outlet (female)	1/4 - 18 N.P.T.F. - 1
Air Inlet (female)	1/4 - 18 P.T.F.
Air Exhaust (female)	1/4 - 18 P.T.F.
Weight	Polypropylene 4.08 lbs (1.85 kgs) Groundable Acetal 4.64 lbs (2.10 kgs) PVDF (Kynar) 4.9 lbs (2.22 kgs)
Air Valve Service Kit	637276
Fluid Section Service Kit	637313-XX
Pump Rebuild Service Kit	637314-XX

PD02P-X S-XT

637313 -

Diaphragm Material
 Wet End Material

EXAMPLE: Model PD02P-APS-PTA
 Fluid Section Service Kit is 637313-PA
 Pump Rebuild Service Kit is 637314-PA

PERFORMANCE

Air Inlet Pressure Range	20 - 100 p.s.i. (1.4 - 6.9 bar)
Fluid Pressure Range	20 - 100 p.s.i. (1.4 - 6.9 bar)
Maximum Flow Rate (flooded inlet)	4.6 g.p.m. (17.4 l.p.m.)
Maximum Particle Size	clean fluid only
Maximum Temperature Limits	
Polypropylene	35° to 150° F (2° to 66° C)
Groundable Acetal	10° to 180° F (-12° to 82° C)
PVDF (Kynar)	10° to 200° F (-12° to 93° C)
Displacement / Cycle @ 100 p.s.i.	0.014 gal. (53 cc's)
Noise Level @ 70 p.s.i. - 60 c.p.m.	59.8 db(A) ¹

Notes:

- ¹ The pump sound pressure level has been updated to an Equivalent Continuous Sound Level (L_{Aeq}) to meet the intent of ANSI S1. 13-1971, CAGI-PNEUROPS 5.1 using four microphone locations.
- ² PD02P-XDS-DTX models are constructed of a groundable acetal. The material's conductivity allows it to be connected to a suitable ground.

ACCESSORIES:

- 66073-1 Air Line Kit
- 66885-1 Grounding Kit



Mega Flux Comércio de Equipamentos Industriais Ltda.
 Rua Loefgreen, 670 - Vl. Mariana - CEP: 04040-000 - São Paulo/SP

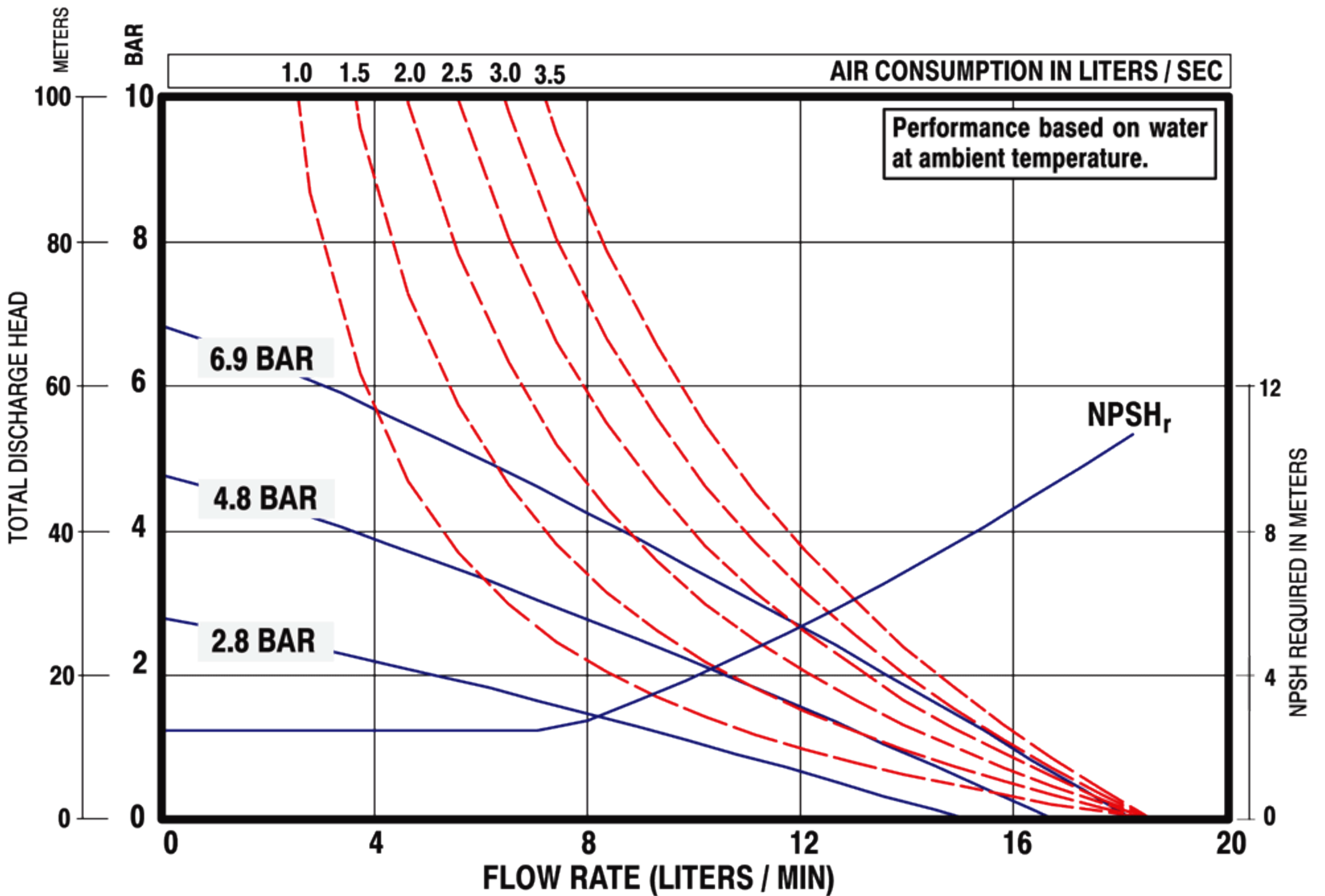
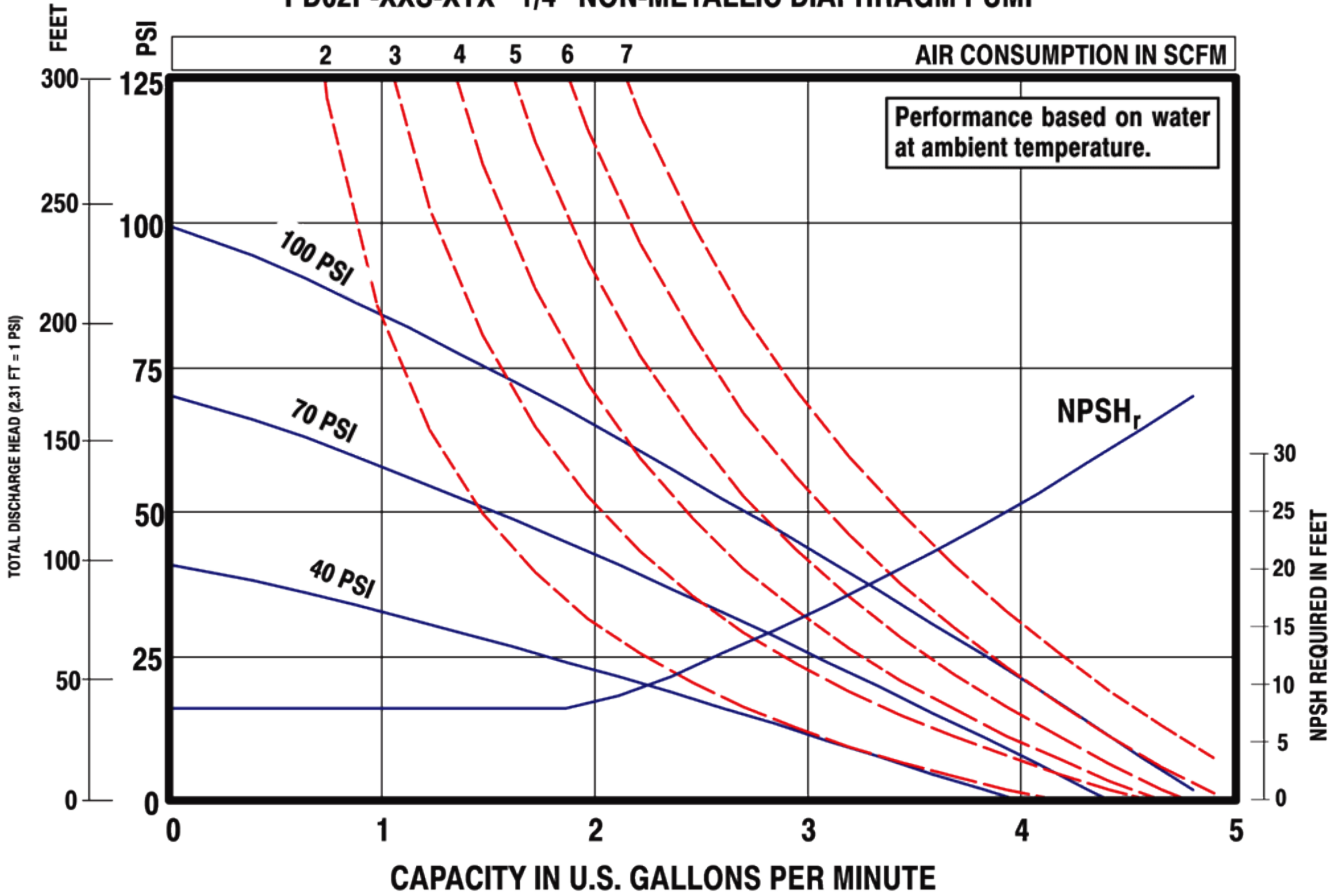
(55 11) 5575-4160 | www.megaflux.net | vendas@megaflux.net

Distribuidor:



PERFORMANCE CURVES

PD02P-XXS-XTX 1/4" NON-METALLIC DIAPHRAGM PUMP



PD02P-XXS-XTX SERIES